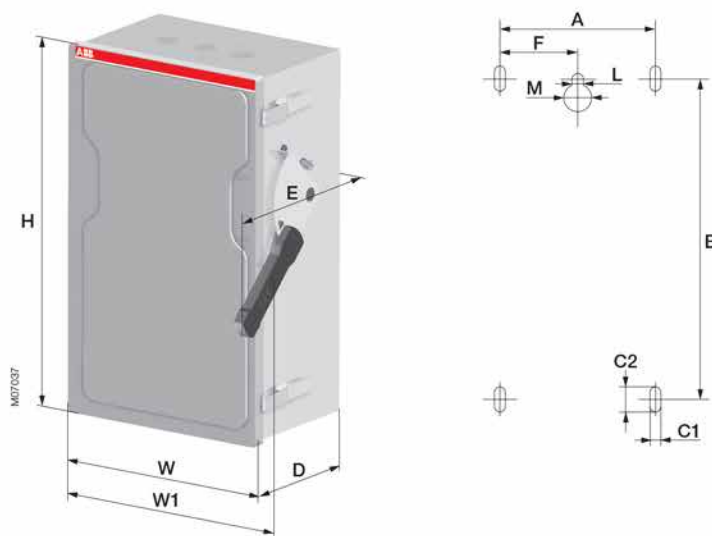


# Dimension drawings

## Heavy duty fusible safety switches

NEMA 1: 30...600 A



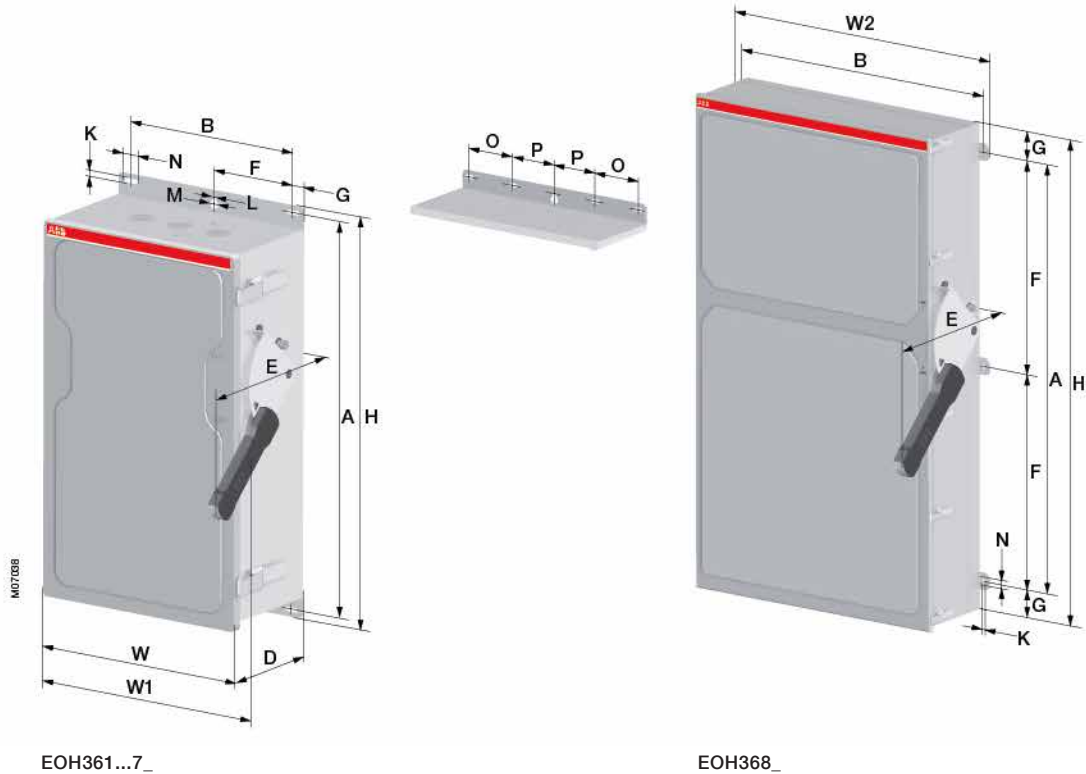
Catalog number	Size									
	H		W		W1		D		E	
	[in]	[mm]	[in]	[mm]	[in]	[mm]	[in]	[mm]	[in]	[mm]
NEMA 1 type										
EOH361K	17.99	457	12.91	328	14.41	366	6.46	164	8.70	221
EOH362K	21.3	541	12.91	328	14.41	366	6.46	164	8.70	221
EOH363K	29.33	745	12.91	328	14.41	366	6.46	164	8.70	221
EOH364K	38.39	975	17.28	439	18.54	471	7.48	190	10.28	261
EOH365K	56.06	1424	23.0	584	24.49	622	8.50	216	10.95	278
EOH366K	64.33	1634	23.0	584	24.49	622	8.50	216	11.26	286

Catalog number	Fixing dimensions						Fixing hole							
	A		B		F		C1		C2		L		M	
	[in]	[mm]	[in]	[mm]	[in]	[mm]	[in]	[mm]	[in]	[mm]	[in]	[mm]	[in]	[mm]
NEMA 1 type														
EOH361K	9.72	247	14.69	373	4.88	124	0.20	5	0.59	15	0.28	7	0.67	17
EOH362K	9.72	247	17.99	457	4.88	124	0.20	5	0.59	15	0.28	7	0.67	17
EOH363K	13.78	350	26.02	661	6.89	175	0.20	5	0.59	15	0.39	10	0.87	22
EOH364K	13.78	350	22.05	560	6.89	175	0.20	5	0.59	15	0.39	10	0.87	22
EOH365K	19.69	500	52.76	1340	9.84	250	0.28	7	0.75	19	0.51	13	0.20	25
EOH366K	19.69	500	61.02	1550	9.84	250	0.28	7	0.75	19	0.51	13	0.20	25

# Dimension drawings

## Heavy duty fusible safety switches

NEMA 12 / 3R: 30...1200 A,  
NEMA 1: 800...1200 A



EOH361...7\_

EOH368\_

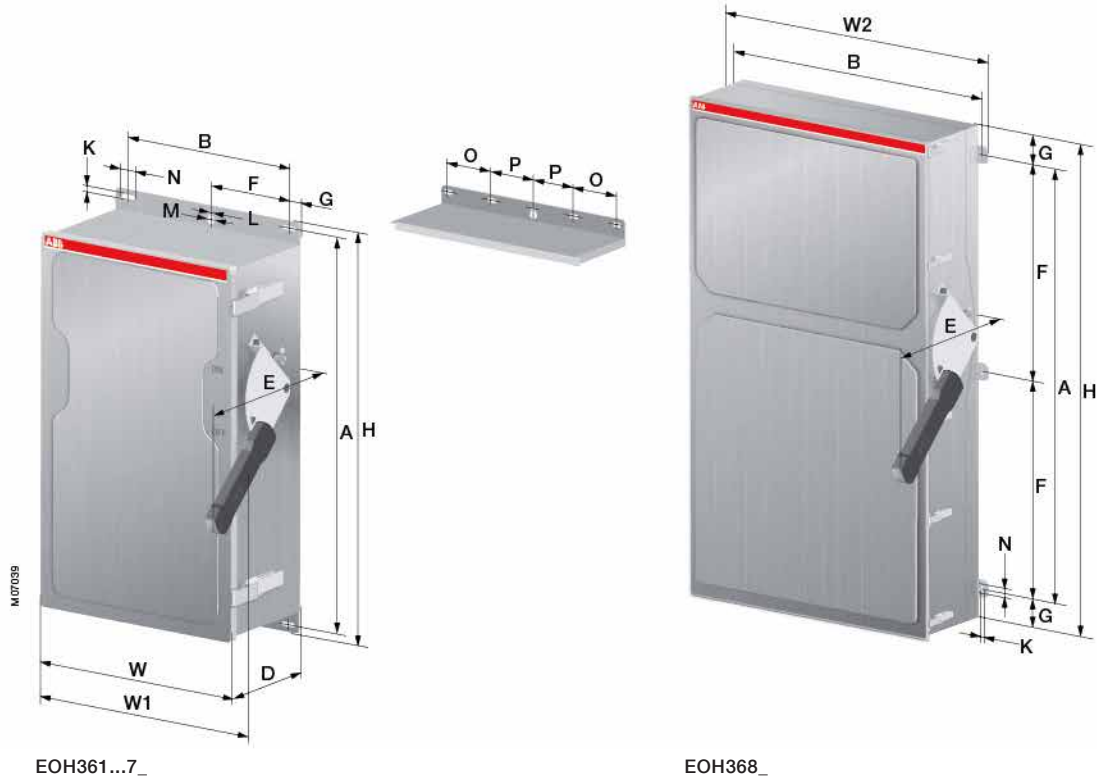
Catalog number	Size											
	H		W		W1		W2		D		E	
	[in]	[mm]	[in]	[mm]	[in]	[mm]	[in]	[mm]	[in]	[mm]	[in]	[mm]
<b>NEMA 12 and 3R</b>												
EOH361JK_RK	19.41	493	13.23	336	14.49	368	-	-	6.30	160	9	229
EOH362JK_RK	22.72	577	13.23	336	14.49	368	-	-	6.30	160	9	229
EOH363JK_RK	30.75	781	13.23	336	14.49	368	-	-	6.30	160	9	229
EOH364JK_RK	39.80	1011	17.28	439	18.54	471	-	-	7.36	187	9.25	235
EOH365JK_RK	58.66	1490	22.99	584	24.53	623	-	-	8.50	216	10.39	264
EOH366JK_RK	66.93	1700	22.99	584	24.53	623	-	-	8.50	216	11.61	295
EOH367J_R	66.61	1692	22.99	584	24.53	623	-	-	8.50	216	11.61	295
EOH368J_R	68.90	1750	39.96	1015	41.77	1061	43.11	1095	12.60	320	14.76	375
<b>NEMA 1</b>												
EOH367	62.68	1592	22.99	584	24.53	623	-	-	8.50	216	11.61	295
EOH368	68.90	1750	39.96	1015	41.77	1061	43.11	1095	12.60	320	14.76	375

Catalog number	Fixing dimensions										Fixing hole									
	A		B		F		O		P		G		N		K		L		M	
	[in]	[mm]	[in]	[mm]	[in]	[mm]	[in]	[mm]	[in]	[mm]	[in]	[mm]	[in]	[mm]	[in]	[mm]	[in]	[mm]	[in]	[mm]
<b>NEMA 12 and 3R</b>																				
EOH361JK_RK	18.62	473	10.59	269	5.28	134	-	-	-	-	1.10	28	0.83	21	0.35	9	0.35	9	0.75	19
EOH362JK_RK	21.93	557	10.59	269	5.28	134	-	-	-	-	1.10	28	0.83	21	0.35	9	0.35	9	0.75	19
EOH363JK_RK	29.96	761	10.59	269	5.28	134	-	-	-	-	1.10	28	0.83	21	0.35	9	0.35	9	0.75	19
EOH364JK_RK	39.02	991	14.65	372	7.32	186	-	-	-	-	1.18	30	0.83	21	0.35	9	0.35	9	0.75	19
EOH365JK_RK	57.48	1460	20.16	512	10.08	256	5.20	132	4.82	122.5	1.00	25.5	1.14	29	0.55	14	0.55	14	0.98	25
EOH366JK_RK	65.75	1670	20.16	512	10.08	256	5.20	132	4.82	122.5	1.00	25.5	1.14	29	0.55	14	0.55	14	0.98	25
EOH367J_R	65.43	1662	20.16	512	10.08	256	5.20	132	4.82	122.5	1.00	25.5	1.14	29	0.55	14	0.55	14	0.98	25
EOH368J_R	60.95	1548	41.14	1045	30.47	774	-	-	-	-	3.98	101	1.18	30	0.39	10	-	-	-	-
<b>NEMA 1</b>																				
EOH367	60.32	1532	19.69	500	9.84	250	5.20	132	4.88	124	1.18	30					0.55	14	0.98	25
EOH368	60.95	1548	41.14	1045	30.47	774	-	-	-	-	3.98	101	1.18	30	0.39	10	-	-	-	-

# Dimension drawings

## Heavy duty fusible safety switches

NEMA 4X: 30...1200 A



EOH361...7\_

EOH368\_

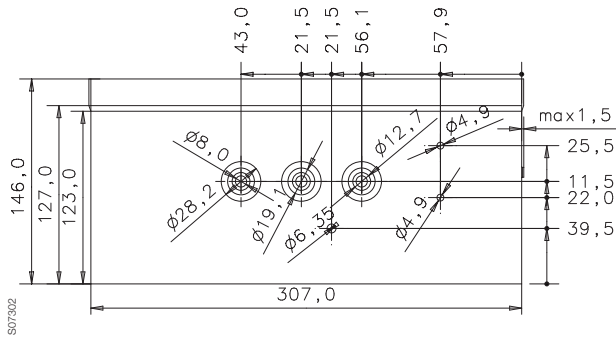
Catalog number	Size											
	H		W		W1		W2		D		E	
	[in]	[mm]	[in]	[mm]	[in]	[mm]	[in]	[mm]	[in]	[mm]	[in]	[mm]
EOH361S_SS	19.41	493	13.23	336	14.49	368	-	-	6.30	160	9	229
EOH362S_SS	22.72	577	13.23	336	14.49	368	-	-	6.30	160	9	229
EOH363S_SS	30.75	781	13.23	336	14.49	368	-	-	6.30	160	9	229
EOH364S_SS	39.80	1011	17.28	439	18.54	471	-	-	7.36	187	9.25	235
EOH365S_SS	58.66	1490	22.99	584	24.53	623	-	-	8.50	216	10.39	264
EOH366S_SS	66.93	1700	22.99	584	24.53	623	-	-	8.50	216	11.61	295
EOH367S_SS	66.61	1692	22.99	584	24.53	623	-	-	8.50	216	11.61	295
EOH368S_SS	68.90	1750	39.96	1015	41.77	1061	43.11	1095	12.60	320	14.76	375

Catalog number	Fixing dimensions										Fixing hole									
	A		B		F		O		P		G		N		K		L		M	
	[in]	[mm]	[in]	[mm]	[in]	[mm]	[in]	[mm]	[in]	[mm]	[in]	[mm]	[in]	[mm]	[in]	[mm]	[in]	[mm]	[in]	[mm]
EOH361S_SS	18.62	473	10.59	269	5.28	134	-	-	-	-	1.10	28	083	21	0.35	9	0.35	9	0.75	19
EOH362S_SS	21.93	557	10.59	269	5.28	134	-	-	-	-	1.10	28	083	21	0.35	9	0.35	9	0.75	19
EOH363S_SS	29.96	761	10.59	269	5.28	134	-	-	-	-	1.10	28	083	21	0.35	9	0.35	9	0.75	19
EOH364S_SS	39.02	991	14.65	372	7.32	186	-	-	-	-	1.18	30	083	21	0.35	9	0.35	9	0.75	19
EOH365S_SS	57.48	1460	20.16	512	10.08	256	5.20	132	4.82	122.5	1.00	25.5	1.14	29	0.55	14	0.55	14	0.98	25
EOH366S_SS	65.75	1670	20.16	512	10.08	256	5.20	132	4.82	122.5	1.00	25.5	1.14	29	0.55	14	0.55	14	0.98	25
EOH367S_SS	65.43	1662	20.16	512	10.08	256	5.20	132	4.82	122.5	1.00	25.5	1.14	29	0.55	14	0.55	14	0.98	25
EOH368S_SS	60.95	1548	41.14	1045	30.47	774	-	-	-	-	3.98	101	1.18	30	0.39	10	-	-	-	-

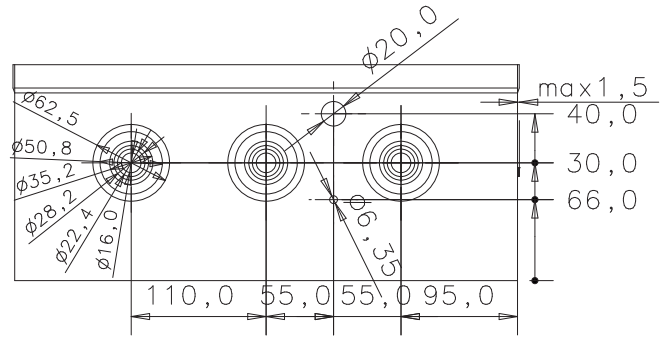
# Dimension drawings

## Fusible safety switches, cable outlets / knockouts

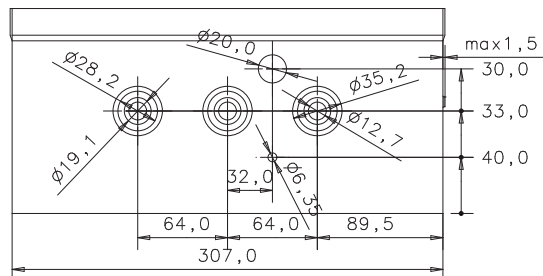
EOH361K, EOH361JK, EOH361RK



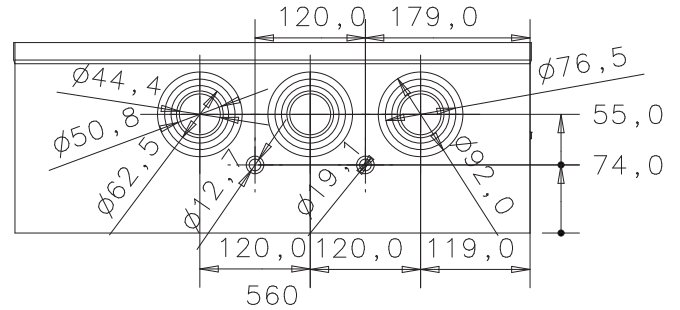
EOH364K, EOH364JK, EOH364RK



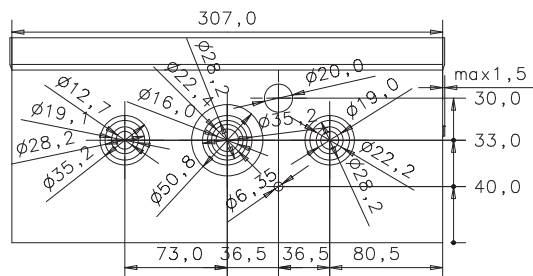
EOH362K, EOH362JK, EOH362RK



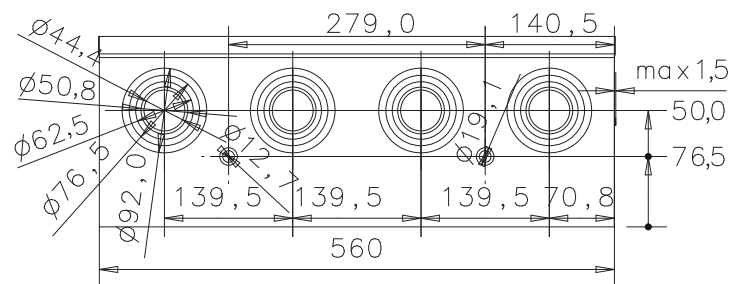
EOH365K, EOH365JK, EOH365RK



EOH363K, EOH363JK, EOH363RK



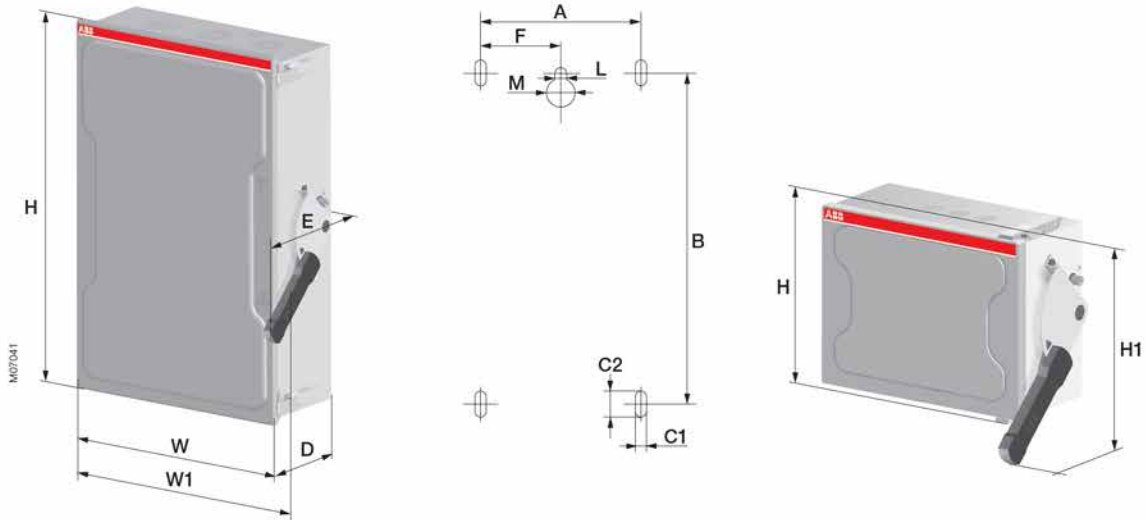
EOH366K, EOH366JK, EOH366RK



# Dimension drawings

## Heavy duty non-fusible safety switches

NEMA 1: 30...800 A



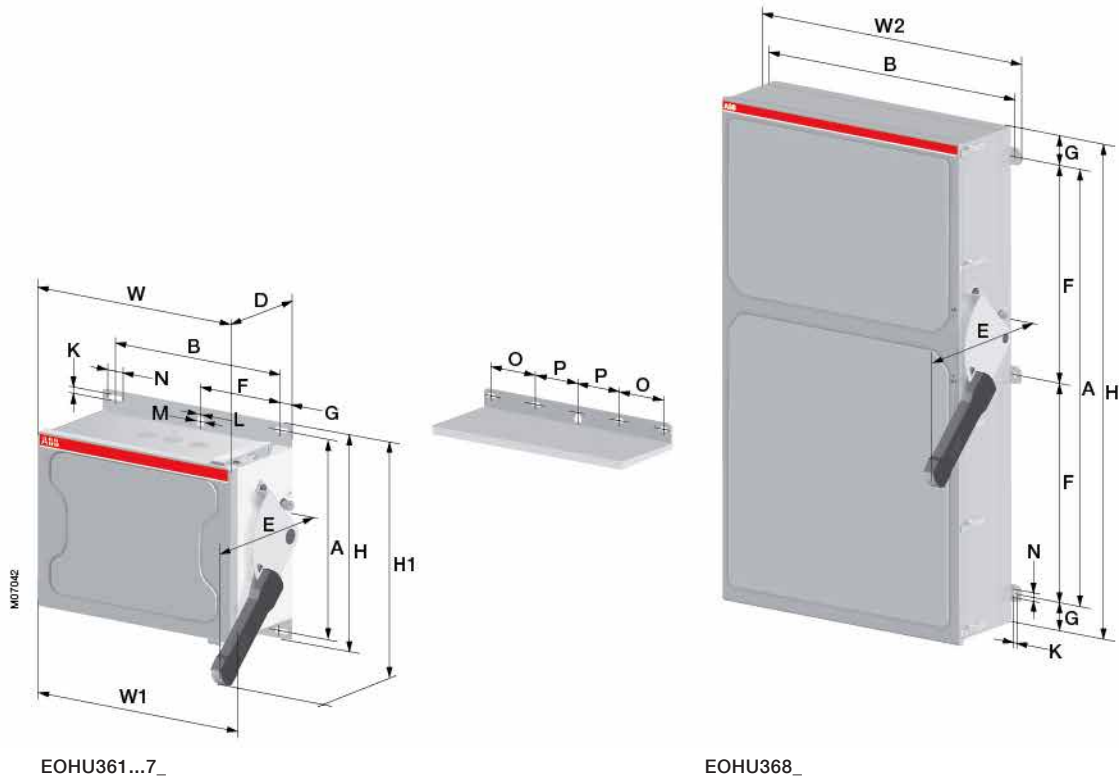
Catalog number	Size											
	H		H1		W		W1		D		E	
	[in]	[mm]	[in]	[mm]	[in]	[mm]	[in]	[mm]	[in]	[mm]	[in]	[mm]
<b>NEMA 1 type</b>												
EOHU361K	10.59	269	11.93	303	12.80	325	14.49	368	6.34	161	8.70	221
EOHU362K	12.72	323	12.99	330	12.80	325	14.49	368	6.34	161	8.70	221
EOHU363K	15.67	398	-	-	12.80	325	14.49	368	6.34	161	8.70	221
EOHU364K	25.35	644	-	-	17.28	439	18.54	471	7.48	190	10.28	261
EOHU365K	40.91	1039	-	-	22.99	584	24.53	623	8.78	223	10.83	275
EOHU366K	47.40	1204	-	-	22.99	584	24.53	623	8.78	223	10.83	286
EOHU367	55.12	1400	-	-	22.99	584	24.53	623	8.50	216	11.61	295

Catalog number	Fixing dimensions						Fixing hole							
	A		B		F		C1		C2		L		M	
	[in]	[mm]	[in]	[mm]	[in]	[mm]	[in]	[mm]	[in]	[mm]	[in]	[mm]	[in]	[mm]
<b>NEMA 1 type</b>														
EOHU361K	9.09	230	6.81	173	4.88	124	0.20	5	0.59	15	0.28	7	0.67	17
EOHU362K	9.09	230	9.41	239	4.88	124	0.20	5	0.59	15	0.28	7	0.67	17
EOHU363K	9.09	230	11.57	294	4.88	124	0.20	5	0.59	15	0.28	7	0.67	17
EOHU364K	13.78	350	22.05	560	6.90	175	0.20	5	0.59	15	0.39	10	0.87	22
EOHU365K	19.69	500	37.60	955	9.84	250	0.28	7	0.75	19	1.56	14.3	0.98	25
EOHU366K	19.69	500	44.09	1120	9.84	250	0.28	7	0.75	19	1.56	14.3	0.98	25
EOHU367	19.69	500	48.82	1240	9.84	250	0.28	7	0.75	19	1.56	14.3	0.98	25

# Dimension drawings

## Heavy duty non-fusible safety switches

NEMA 12 / 3R: 30...1200 A,  
NEMA 1: 1200 A



EOHU361...7\_

EOHU368\_

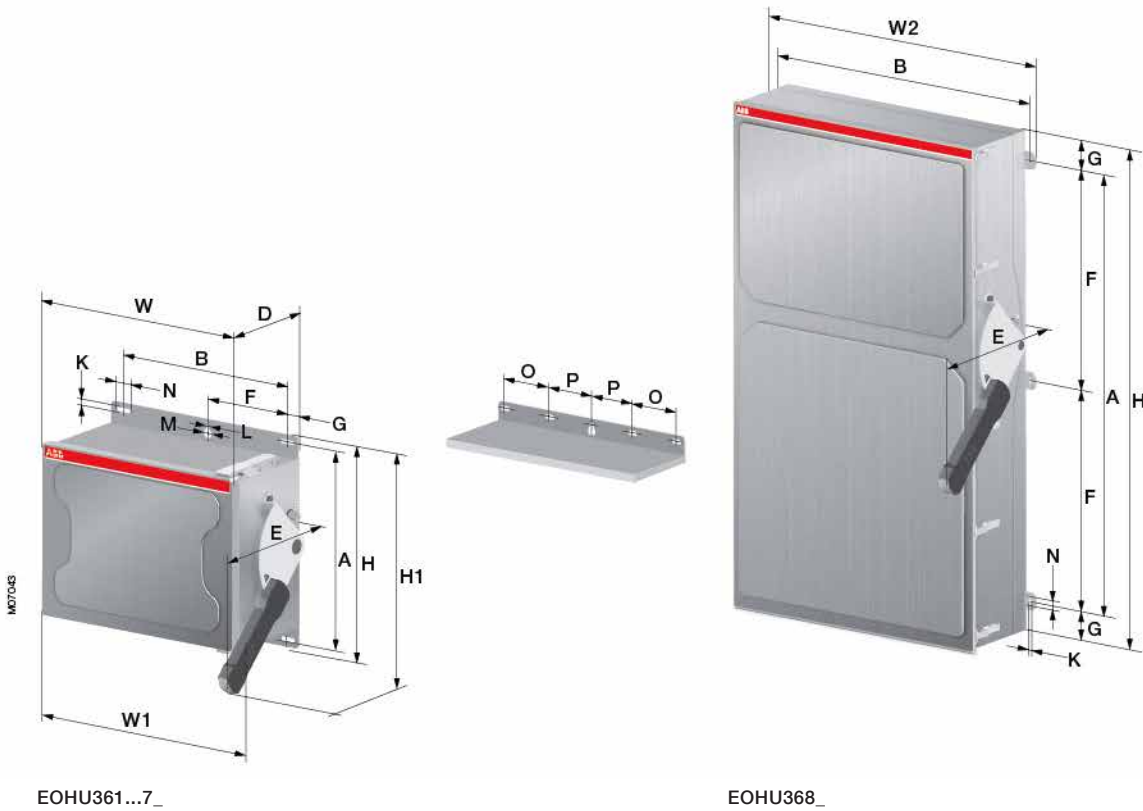
Catalog number	Size													
	H		H1		W		W1		W2		D		E	
	[in]	[mm]	[in]	[mm]	[in]	[mm]	[in]	[mm]	[in]	[mm]	[in]	[mm]	[in]	[mm]
<b>NEMA 12 and 3R</b>														
EOHU361JK_RK	11.54	293	12.40	315	12.80	325	14.49	368	-	-	6.14	156	8.70	221
EOHU362JK_RK	14.13	359	13.74	349	12.80	325	14.49	368	-	-	6.14	156	8.70	221
EOHU363JK_RK	17.32	440	-	-	12.80	325	14.49	368	-	-	6.14	156	8.70	221
EOHU364JK_RK	26.77	680	-	-	17.01	432	19.09	485	-	-	7.36	187	10.16	258
EOHU365JK_RK	42.72	1085	-	-	23.0	584	24.53	623	-	-	8.50	216	11.61	295
EOHU366JK_RK	50.39	1280	-	-	23.0	584	24.53	623	-	-	8.50	216	11.61	295
EOHU367J_R	55.12	1400	-	-	23.0	584	24.53	623	-	-	8.50	216	11.61	295
EOHU368J_R	57.48	1460	-	-	40.32	1024	41.89	1064	43.11	1095	12.56	319	14.76	375
<b>NEMA 1</b>														
EOHU368	57.48	1460	-	-	40.32	1024	41.89	1064	43.11	1095	12.56	319	14.76	375

Catalog number	Fixing dimensions										Fixing hole									
	A		B		F		O		P		G		N		K		L		M	
	[in]	[mm]	[in]	[mm]	[in]	[mm]	[in]	[mm]	[in]	[mm]	[in]	[mm]	[in]	[mm]	[in]	[mm]	[in]	[mm]	[in]	[mm]
<b>NEMA 12 and 3R</b>																				
EOHU361JK_RK	10.75	273	10.59	269	5.28	134	-	-	-	-	1.10	28	0.83	21	0.35	9	0.35	9	0.75	19
EOHU362JK_RK	13.35	339	10.59	269	5.28	134	-	-	-	-	1.10	28	0.83	21	0.35	9	0.35	9	0.75	19
EOHU363JK_RK	16.69	424	10.59	269	5.28	134	-	-	-	-	1.10	28	0.83	21	0.35	9	0.35	9	0.75	19
EOHU364JK_RK	25.98	660	14.65	372	7.32	186	-	-	-	-	0.87	22	0.83	21	0.35	9	0.35	9	0.75	19
EOHU365JK_RK	42.32	1075	20.16	512	10.08	256	5.2	132	4.88	124	1.00	25.5	1.14	29	0.55	14	0.55	14	0.98	25
EOHU366JK_RK	49.21	1250	20.16	512	10.08	256	5.2	132	4.88	124	1.00	25.5	1.14	29	0.55	14	0.55	14	0.98	25
EOHU367J_R	53.94	1370	20.16	512	10.08	256	5.2	132	4.88	124	1.00	25.5	1.14	29	0.55	14	0.55	14	0.98	25
EOHU368J_R	50.32	1278	41.34	1050	25.16	639	-	-	-	-	3.58	91	1.18	30	0.39	10	-	-	-	-
<b>NEMA 1</b>																				
EOHU368	50.32	1278	41.34	1050	25.16	639	-	-	-	-	3.58	91	1.18	30	0.39	10	-	-	-	-

# Dimension drawings

## Heavy duty non-fusible safety switches

NEMA 4X: 30...1200 A



EOHU361...7\_

EOHU368\_

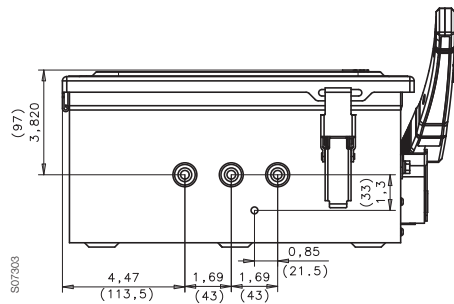
Catalog number	Size													
	H		H1		W		W1		W2		D		E	
	[in]	[mm]	[in]	[mm]	[in]	[mm]	[in]	[mm]	[in]	[mm]	[in]	[mm]	[in]	[mm]
EOHU361S_SS	11.54	293	12.40	315	12.80	336	14.49	368	-	-	6.14	160	8.70	229
EOHU362S_SS	14.13	359	13.74	349	12.80	336	14.49	368	-	-	6.14	160	8.70	229
EOHU363S_SS	17.32	440	-	-	12.80	336	14.49	368	-	-	6.14	160	8.70	229
EOHU364S_SS	26.77	680	-	-	17.01	432	19.09	485	-	-	7.36	187	10.16	258
EOHU365S_SS	42.72	1085	-	-	23.0	584	24.53	623	-	-	8.50	216	11.61	295
EOHU366S_SS	50.39	1280	-	-	23.0	584	24.53	623	-	-	8.50	216	11.61	295
EOHU367S_SS	55.12	1400	-	-	23.0	584	24.53	623	-	-	8.50	216	11.61	295
EOHU368S_SS	57.48	1460	-	-	40.32	1024	41.89	1064	43.11	1095	12.56	319	14.76	375

Catalog number	Fixing dimensions										Fixing hole									
	A		B		F		O		P		G		N		K		L		M	
	[in]	[mm]	[in]	[mm]	[in]	[mm]	[in]	[mm]	[in]	[mm]	[in]	[mm]	[in]	[mm]	[in]	[mm]	[in]	[mm]	[in]	[mm]
EOHU361S_SS	10.75	273	10.59	269	5.28	134	-	-	-	-	1.10	28	0.83	21	0.35	9	0.35	9	0.75	19
EOHU362S_SS	13.35	339	10.59	269	5.28	134	-	-	-	-	1.10	28	0.83	21	0.35	9	0.35	9	0.75	19
EOHU363S_SS	16.69	424	10.59	269	5.28	134	-	-	-	-	1.10	28	0.83	21	0.35	9	0.35	9	0.75	19
EOHU364S_SS	25.98	660	14.65	372	7.32	186	-	-	-	-	0.87	22	0.83	21	0.35	9	0.35	9	0.75	19
EOHU365S_SS	42.32	1075	20.16	512	10.08	256	5.2	132	4.88	124	1.00	25.5	1.14	29	0.55	14	0.55	14	0.98	25
EOHU366S_SS	49.21	1250	20.16	512	10.08	256	5.2	132	4.88	124	1.00	25.5	1.14	29	0.55	14	0.55	14	0.98	25
EOHU367S_SS	53.94	1370	20.16	512	10.08	256	5.2	132	4.88	124	1.00	25.5	1.14	29	0.55	14	0.55	14	0.98	25
EOHU368S_SS	50.32	1278	41.34	1050	25.16	639	-	-	-	-	3.58	91	1.18	30	0.39	10	-	-	-	-

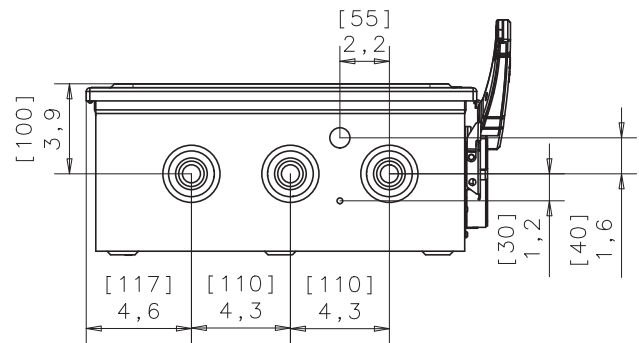
# Dimension drawings

## Non-fusible safety switches, cable outlets / knockouts

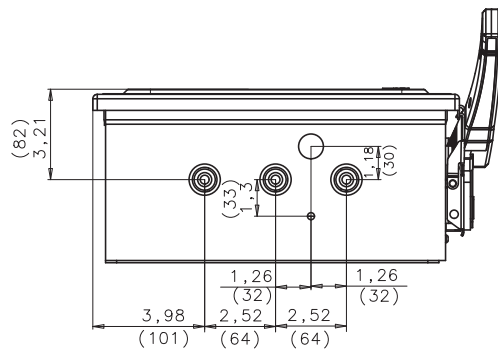
EOHU361K, EOHU361JK, EOHU361RK



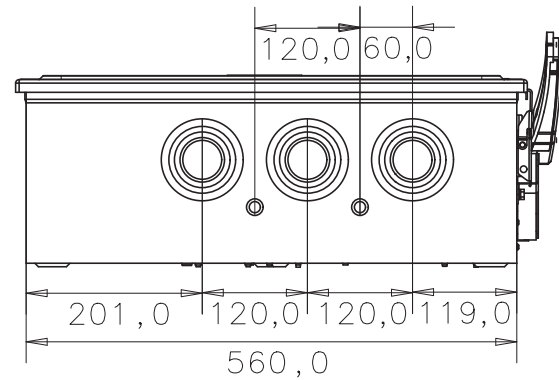
EOHU364K, EOHU364JK, EOHU364RK



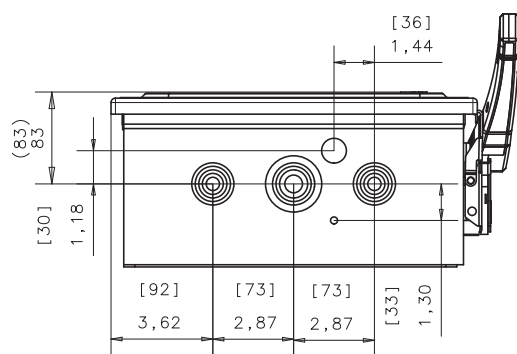
EOHU362K, EOHU362JK, EOHU362RK



EOHU365K, EOHU365JK, EOHU365RK



EOHU363K, EOHU363JK, EOHU363RK



EOHU366K, EOHU366JK, EOHU366RK

